

**KTGFR/L**

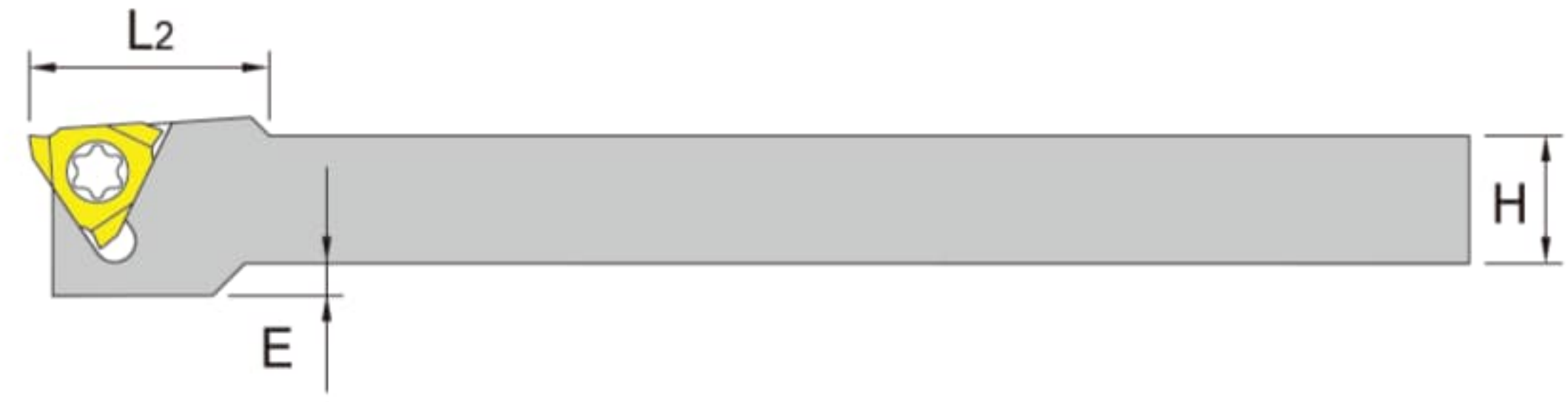
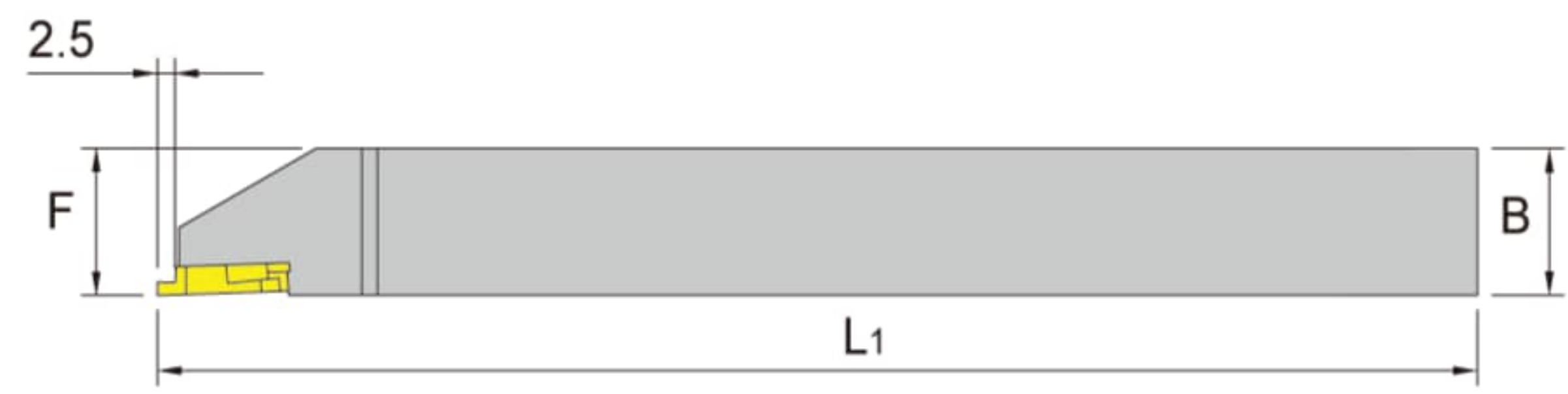
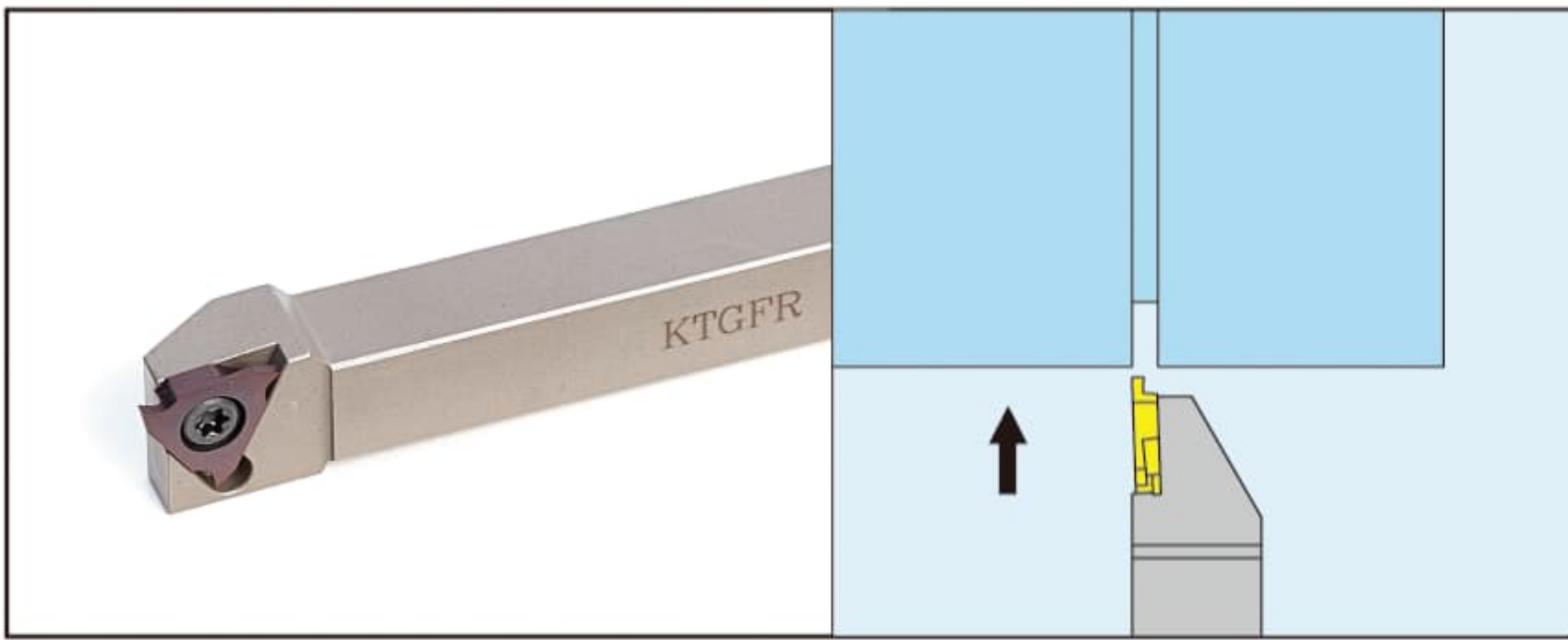

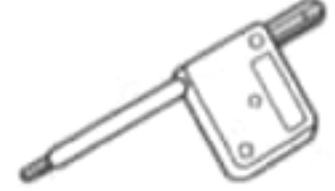


圖1. Fig 1



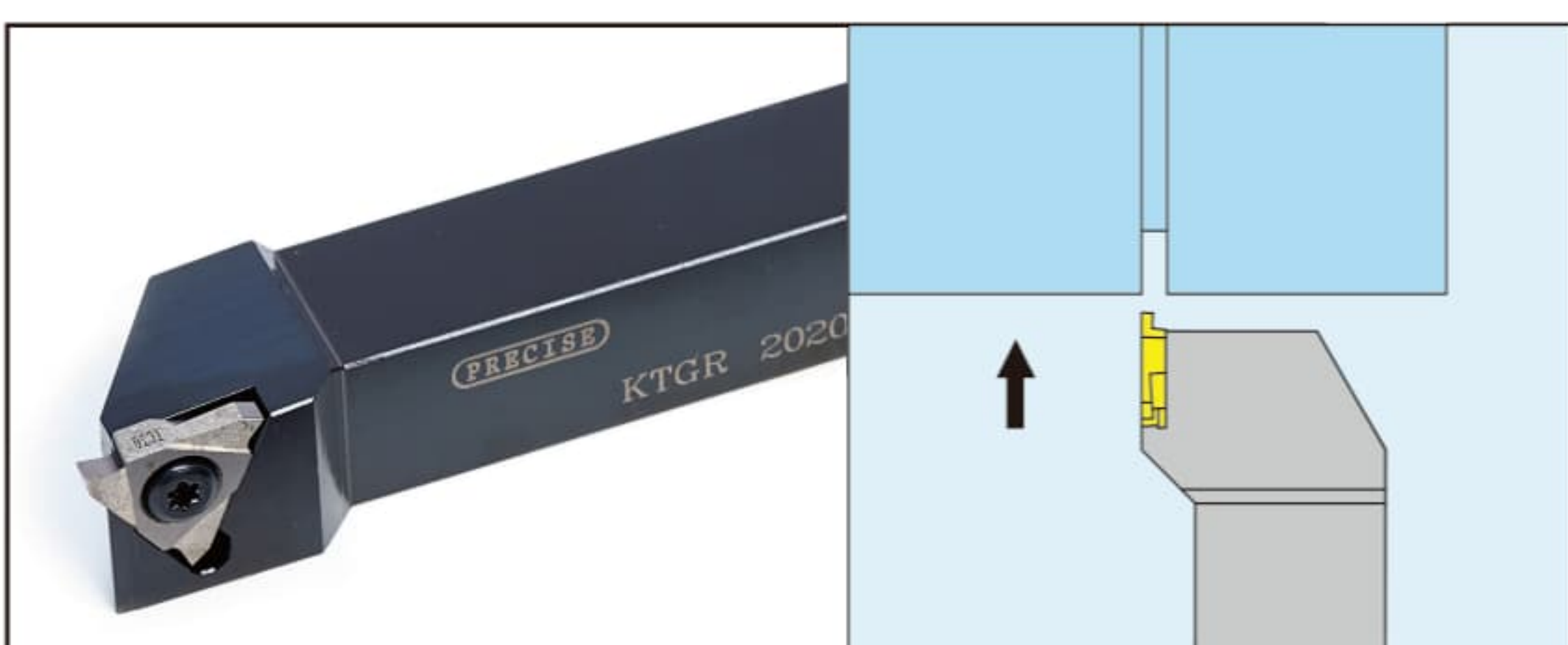
圖2. Fig 2

■ Right hand tool holder shown.(For Kyocera Insert)



Order number	Insert number	Dimensions (mm)						 Clamp Screw	 Wrench	Fig圖示
		H	B	L1	L2	F	E			
KTGFR/L 1010K-16F	TGF32R/L	10	10	125	18.5	10	2	BFTX0407	TRX15	Fig 1
1212K-16F		12	12			12	—			
1616K-16F		16	16			16				
2020K-16		20	20	23	25	Fig 2				
2525M-16		25	25	150	25		32			

E

**KTGR/L**

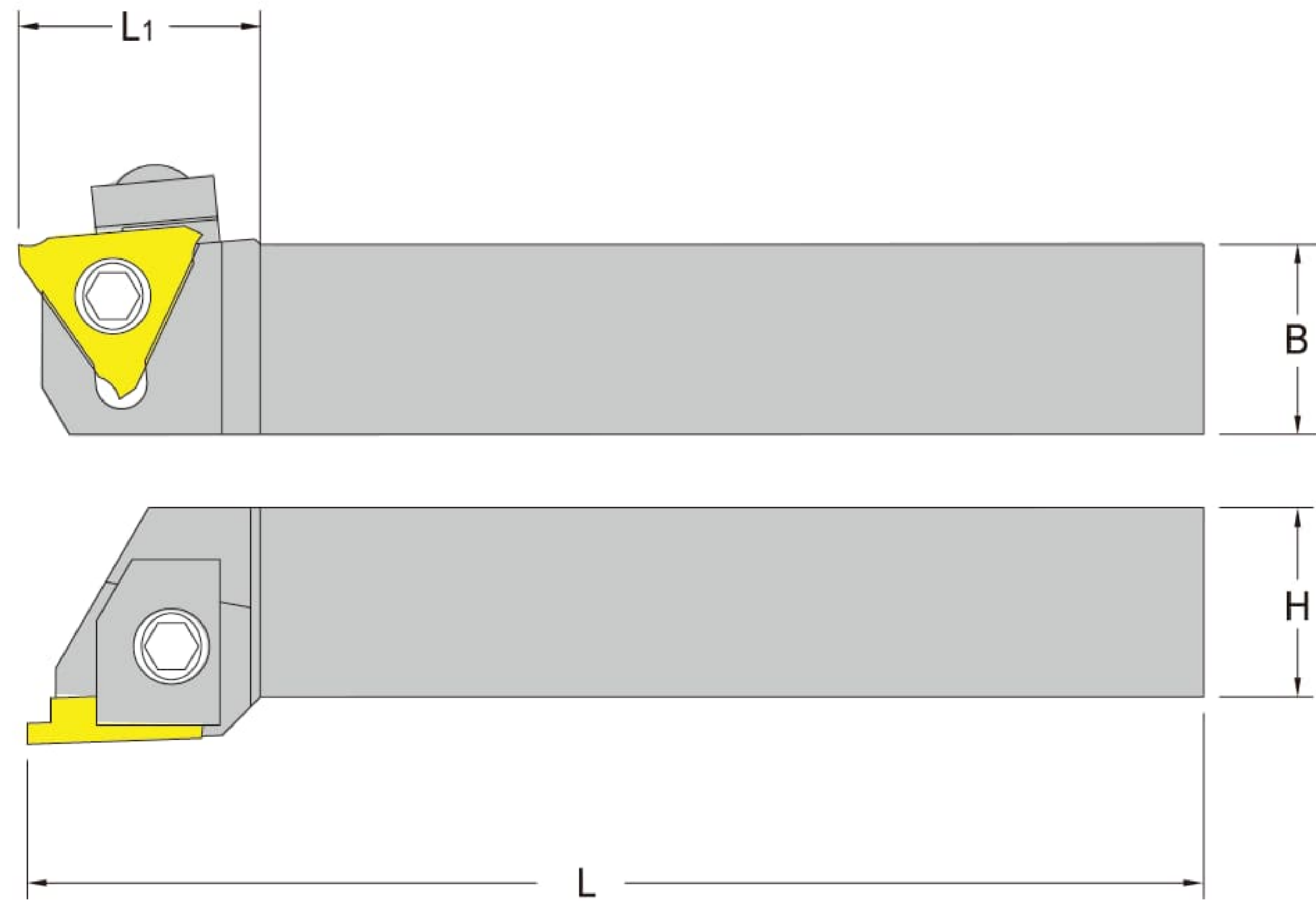
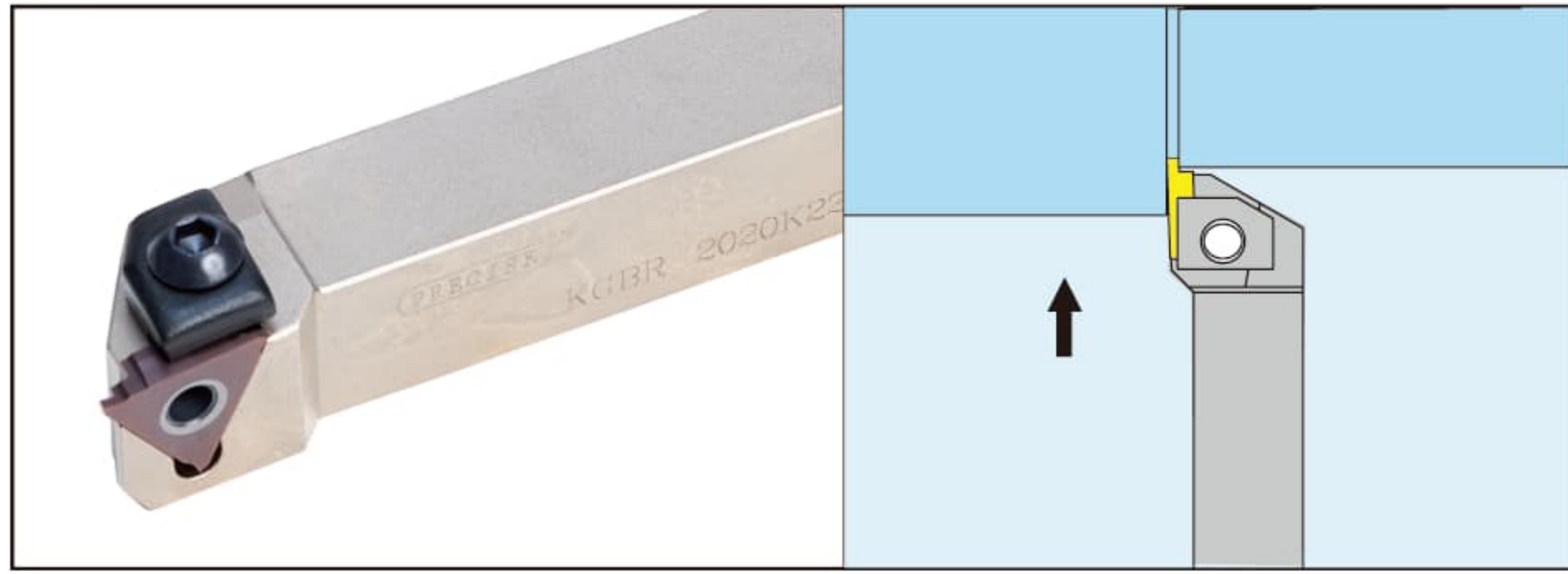


■ Right hand tool holder shown.(For Kyocera Insert)

Order number	Insert number	Dimensions (mm)					 Clamp Screw	 Wrench
		H	B	L1	L2	F		
KTGR/L 2020K22-15	TG43 R/L 150~230	20	20	125	25	25	BFTX0511	TRX15
2525M22-15		25	25	150		30		
2020K22-25	TG43 R/L 250~330	20	20	125		25		
2525M22-25		25	25	150		30		
2020K22-35	TG43 R/L 350~450	20	20	125		25		
2525M22-35		25	25	150		30		



## KGBR/L

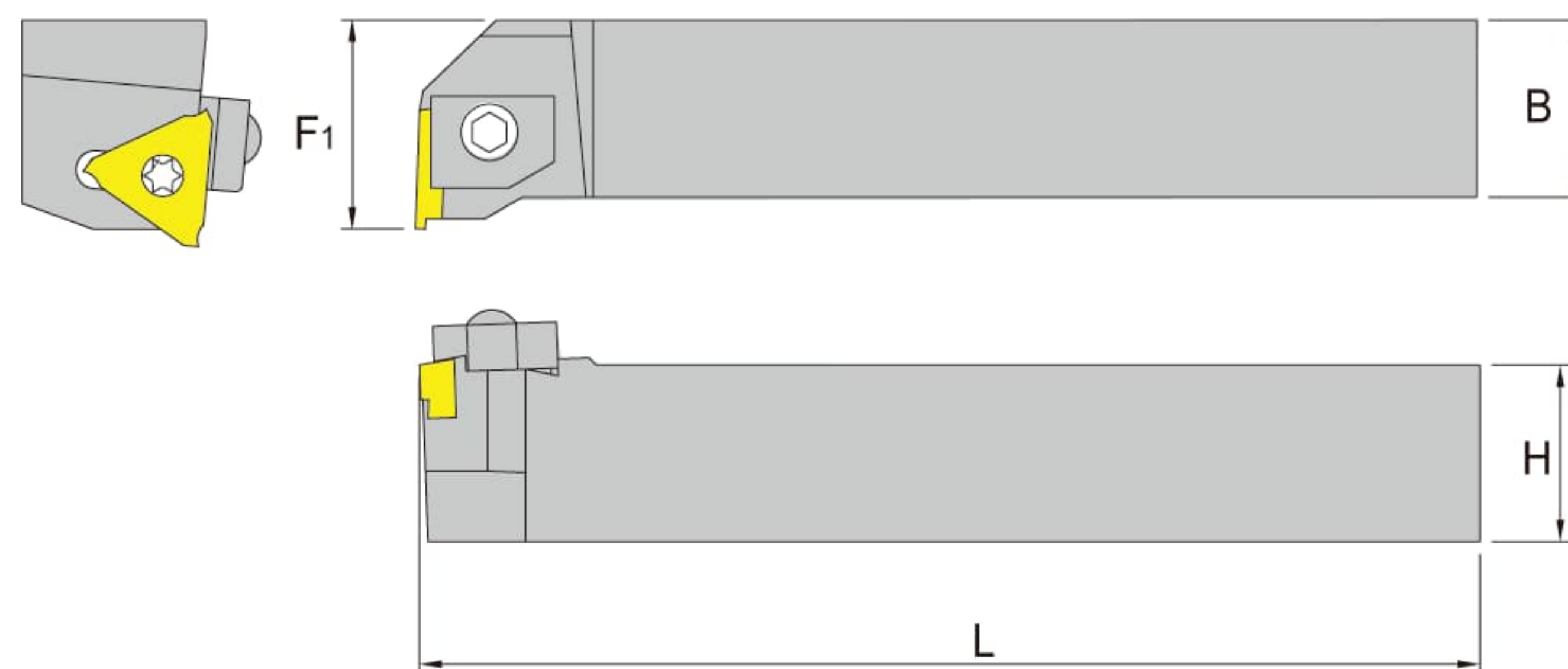
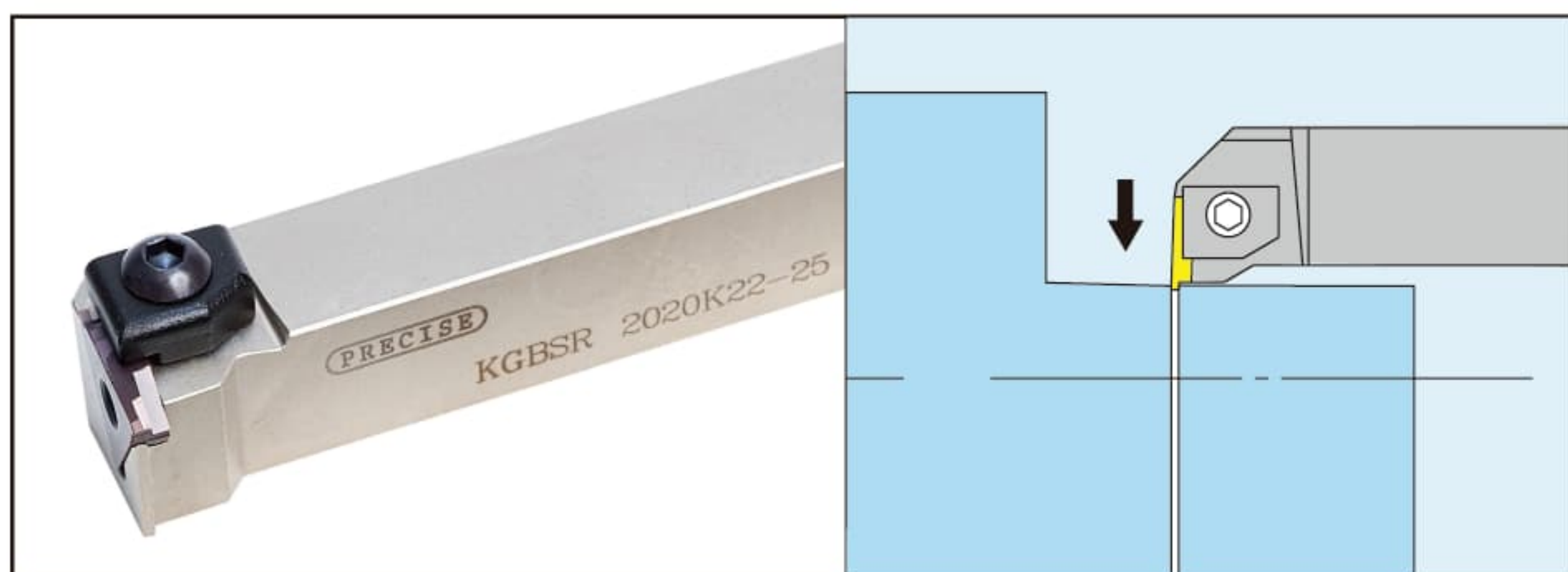


■ Right hand tool holder shown.(For Kyocera & Mitsubishi Sumitomo Insert)

Order number	Insert number	Dimensions (mm)				Clamp	Screw	Spring	Wrench
		H	B	L	L <sub>1</sub>				
KGBR/L 2020K22-15	GB43R/L125-230	20	20	125	25	MTK1R/L	BS0620 BFTX0511	MES3	LH040 TRX20
2525M22-15	GB43R/L050R-100R MGTR/L43 125-230	25	25	150					
2020K22-25	GB43R/L250-330	20	20	125	25				
2525M22-25	GB43R/L125R-150R MGTR/L43 230-330	25	25	150					
2020K22-35	GB43R/L350-480	20	20	125	25				
2525M22-35	GB43R/L200R MGTR/L43 330-470 TGAR/L4300	25	25	150					

E

## KGBSR/L

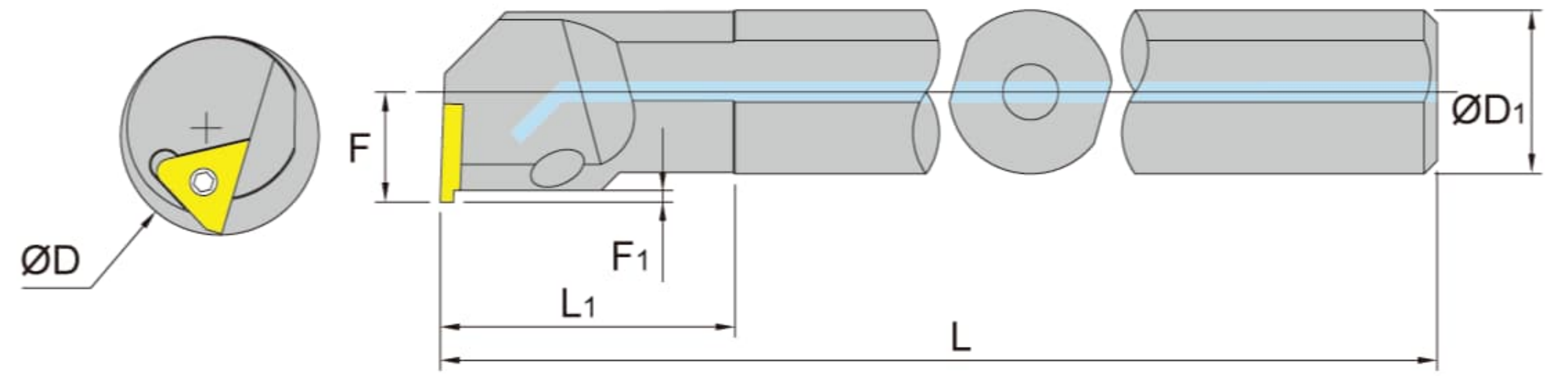
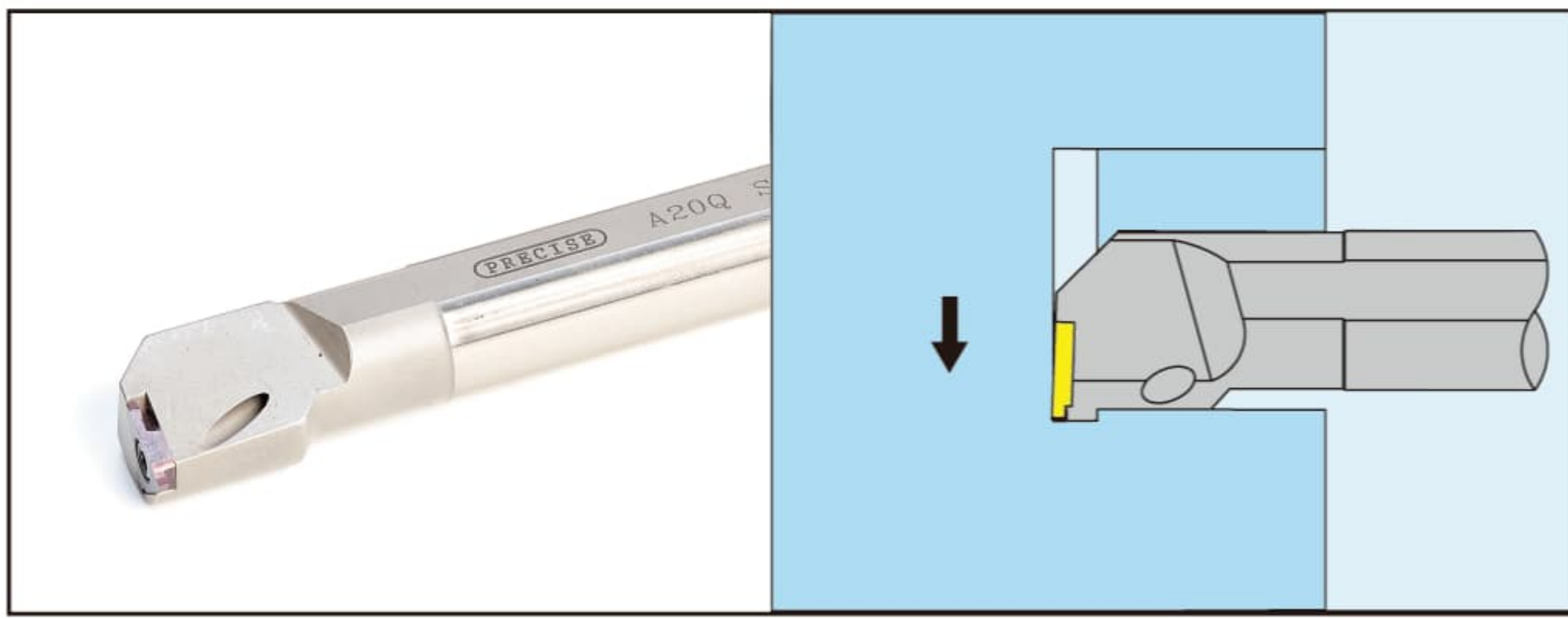


■ Right hand tool holder shown.(For Sumitomo, Kyocera & Mitsubish Insert)

Order number	Insert number	Dimensions (mm)				Clamp	Screw	Spring	Wrench
		H	B	L	F <sub>1</sub>				
KGBSR/L 2020K22-15	GB43L/R125-230	20	20	125	27	MTK1L/R	BS0620 BFTX0511	MES3	LH040 TRX20
2525M22-15	GB43L/R050R-100R MGTL/R125-230	25	25	150	32				
2020K22-25	GB43L/R250-330	20	20	125	27				
2525M22-25	GB43L/R125R-150R MGTL/R43 230-330	25	25	150	32				
2020K22-35	GB43L/R350-480	20	20	125	27				
2525M22-35	GB43L/R200R MGTL/R43 330-470	25	25	150	32				



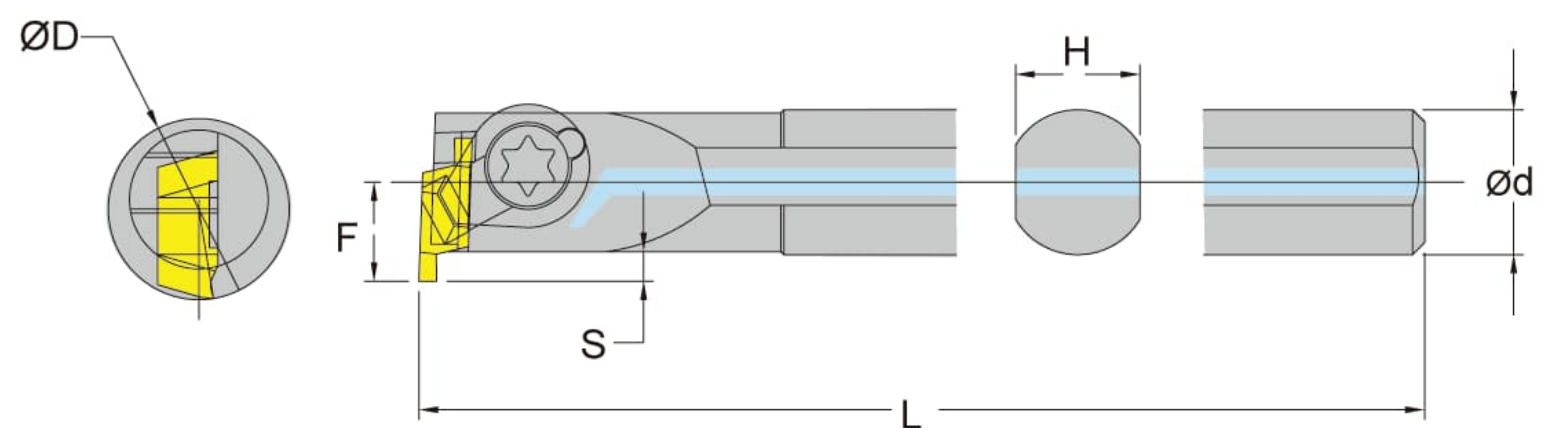
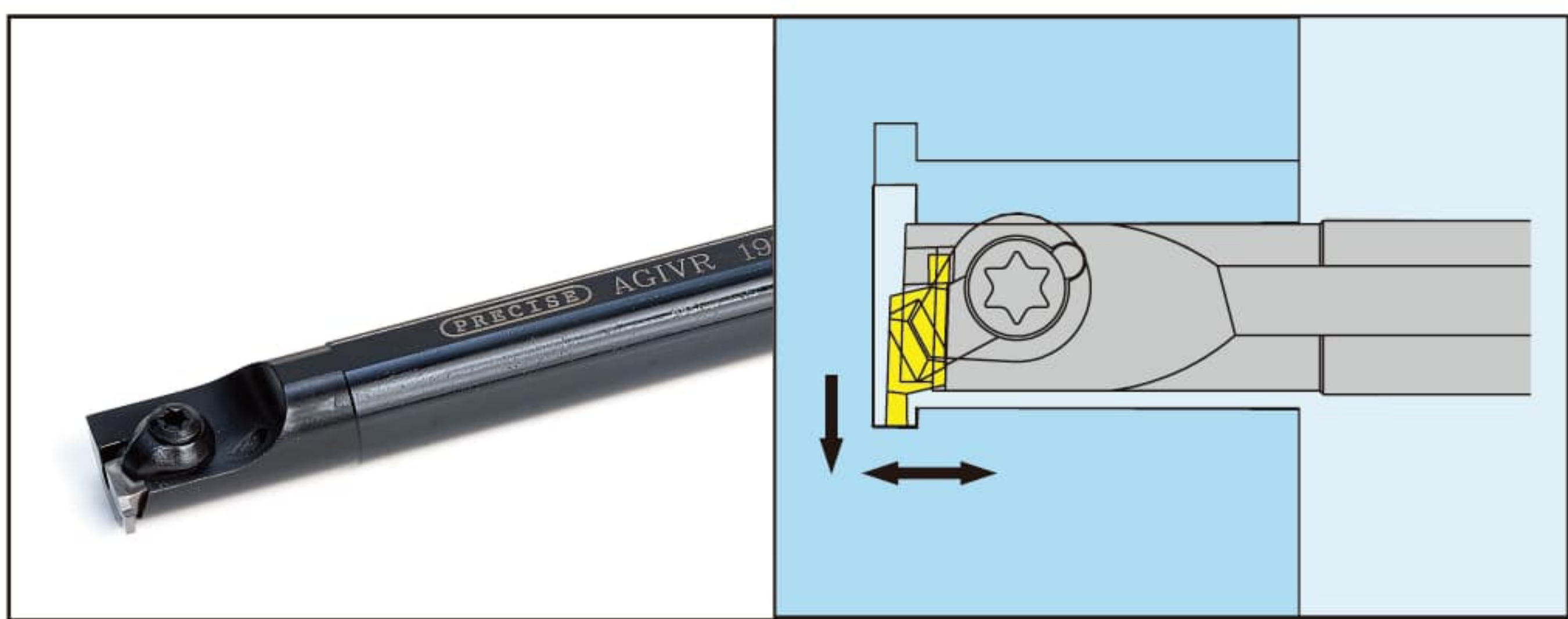
**SITGF** 內徑切槽刀



■ Right hand tool holder shown.(For Kyocera Insert)

	Order number	Insert number	Dimensions (mm)					Min cutting diameter	Clamp Screw	Wrench
			ØD1	ØD	F	F1	L			
COOLANT	A20Q SITGFR-16	TGF32L-075	20	25	15	3.0	180	40	BFTX0407	TRX15
	A25R SITGFR-16	TGF32L-300	25	32	17.5	3.0	200	47		

**GIVR** 內徑切槽刀

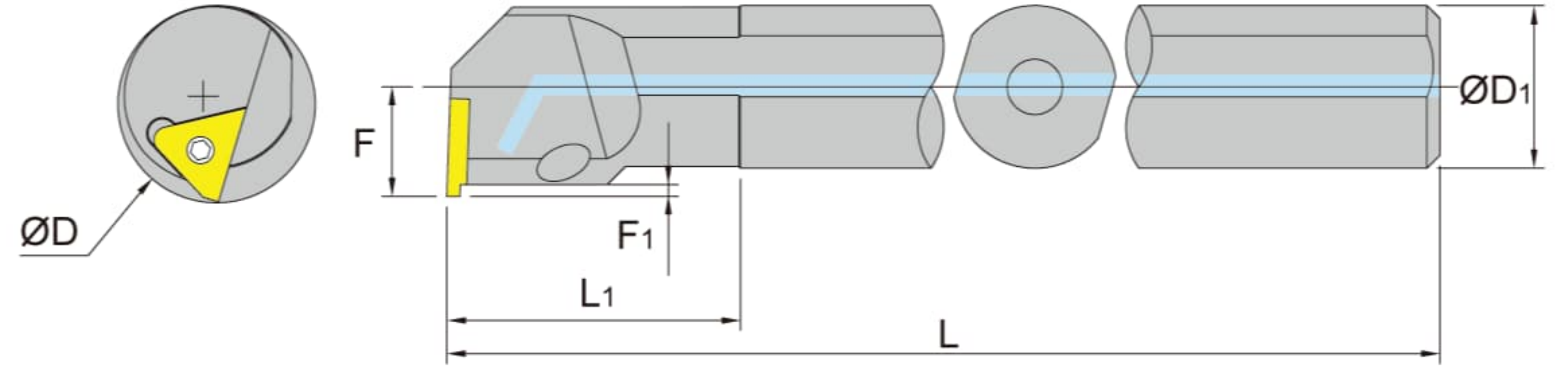
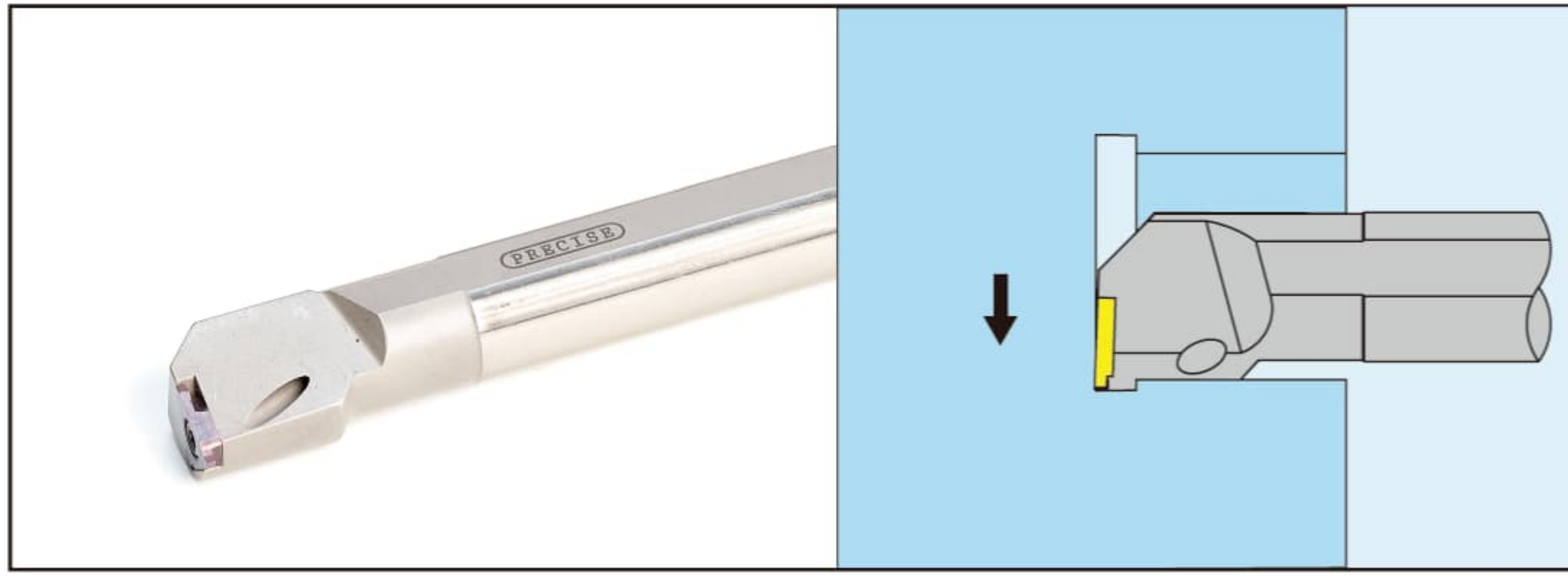


■ Right hand tool holder shown.(For Kyocera Insert)



	Order number	Insert number	Dimensions (mm)					Min cutting diameter	Clamp	Wrench
			ød	H	L	F	S			
STEEL 鋼	GIVR 1108K-1SS	GVR 1SS	8	7	125	6	2.2	11	CPS-4V	TRX10
	1310M-1S	GVR 1S	10	9	150	7	2.2	13	CPS-5F	TRX15
	1512M-1A	GVR 1A	12	11	150	8	2.2	15		
	1916Q-1A		16	14	180	10	2.2	19		
	2020Q-1B	GVR 1B	20	18	180	10	3.2	20	CPS-5V	
	2520Q-1B		20	18	180	10	3.2	25		
	2525Q-1B		25	18	180	10	3.2	25		
COOLANT 中心出水	AGIVR 1108K-1SS	GVR 1SS	8	7	125	6	2.2	11	CPS-4V	TRX10
	1310M-1S	GVR 1S	10	9	150	7	2.2	13	CPS-5F	TRX15
	1512M-1A	GVR 1A	12	11	150	8	2.2	15		
	1916Q-1A		16	14	180	10	2.2	19		
	2020Q-1B	GVR 1B	20	18	180	10	3.2	20	CPS-5V	



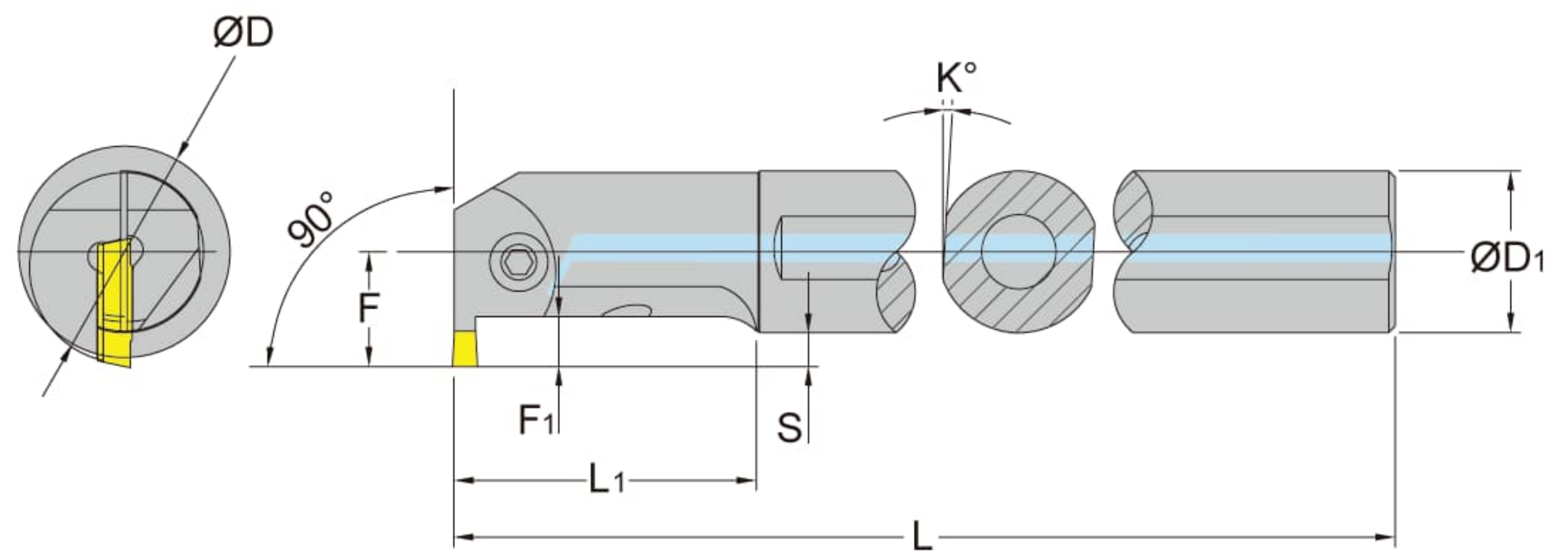
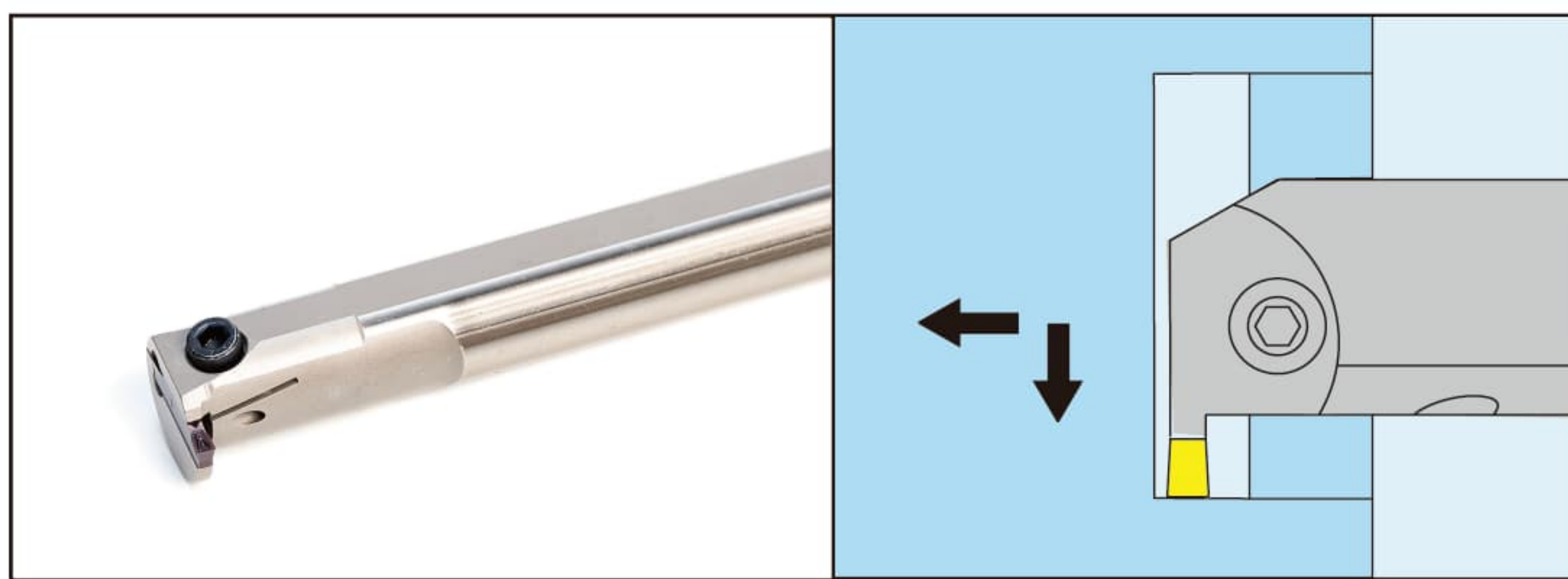
## KIGBA 內徑切槽刀



■ Right hand tool holder shown.(For Sumitomo Kyocera Insert)



	Order number	Insert number	Dimensions (mm)						 Clamp Screw	 Wrench
			ØD <sub>1</sub>	ØD	F	F <sub>1</sub>	L	L <sub>1</sub>		
COOLANT	A20Q KIGBAR-16	GBA32L TGAL-3000	20	25	15	3.0	180	40	BFTX0407	TRX15
	A25R KIGBAR-16		25	32	17.5	3.0	200	47		
	A32S KIGBAR-22	GBA43L TGAL-4000	32	40	23	4.0	250	58	BFTX0511	TRX20

## FCDG 內徑霸王刀



E

■ Right hand tool holder shown.(For Mitsubishi Insert)

	Order number	Insert number	Dimensions (mm)							 Clamp Screw	 Wrench	
			ØD	ØD <sub>1</sub>	F	F <sub>1</sub>	S	L	L <sub>1</sub>			K
STEEL 鋼	FCDG 4120R-3M	DGM30CT	25	20	15	6.5	4.0	200	40	5	BX0416	LH-03
	4125R-3M		32	25	17.5	7.5	5.0	200	47	3		
	4132R-3M		40	32	23	9.0	7.0	250	58	1		
	4120R-4M	DGM40CT DGM40CTB	25	20	14	6.5	4.0	200	40	5	BX0520	LH-040
	4125R-4M		32	25	17.5	7.5	5.0	200	47	3		
	4132R-4M		40	32	23	9.0	7.0	250	58	1		
COOLANT 中心注水	AFCDG 4120R-3M	DGM30CT	25	20	15	6.5	4.0	200	40	5	BX0416	LH-03
	4125R-3M		32	25	17.5	7.5	5.0	200	47	3		
	4132R-3M		40	32	23	9.0	7.0	250	58	1		
	4120R-4M	DGM40CT DGM40CTB	25	20	14	6.5	4.0	200	40	5	BX0520	LH-040
	4125R-4M		32	25	17.5	7.5	5.0	200	47	3		
	4132R-4M		40	32	23	9.0	7.0	250	58	1		